



# Purasolve Parts Washer PS6

## For Heavy Duty Cleaning Applications

Next Generation Cost-Saving Parts Cleaning Solutions  
Designed for a Better World



**envirofluid**  
FOR A BETTER WORLD

# Cost-Saving Parts Cleaning Solutions

Designed for Heavy Duty Industrial Cleaning Applications

The Purasolve Parts Washer PS6 is a versatile recycling solvent cleaning station incorporating:

- Three methods of cleaning – flexible hose, hand held brush and parts soaking
- Integral recycling micro-filtration extends solvent life
- Utilises fully recyclable safety solvents for ultimate worker safety
- Significant reductions in solvent usage and disposal cost

The Purasolve Parts Washer PS6 is ideal for heavy maintenance and MRO applications in Transport, Mining, Defence, Construction Equipment Servicing and other Industrial Cleaning Applications.



## Standard Features

- Flexible Stay-Put metal flush hose for directable hands-free flushing action
- Hand held brush attachment for detailed cleaning applications
- Parts soaking area beside sloped work shelf
- Small parts soaking, cleaning and draining basket
- Sludge collector basket with dual-element foam filter provides initial sludge removal
- Dual micro-filtration unit polishes solvent removing particles to less than 1 micron.
- Sturdy steel tank construction
- Hammer-tone powder-coat finish for durability and long-life
- Bottom drain plug convenient for fluid change-outs
- Fusible safety link closes lid in event of fire
- Powerful 30 LPM centrifugal column pump
- Removable sloped work shelf for parts cleaning above fluid or soaking in solvent tank
- Integrated external drain shelf drains solution to tank and reduces drying time

## Purasolve Micro-filtration

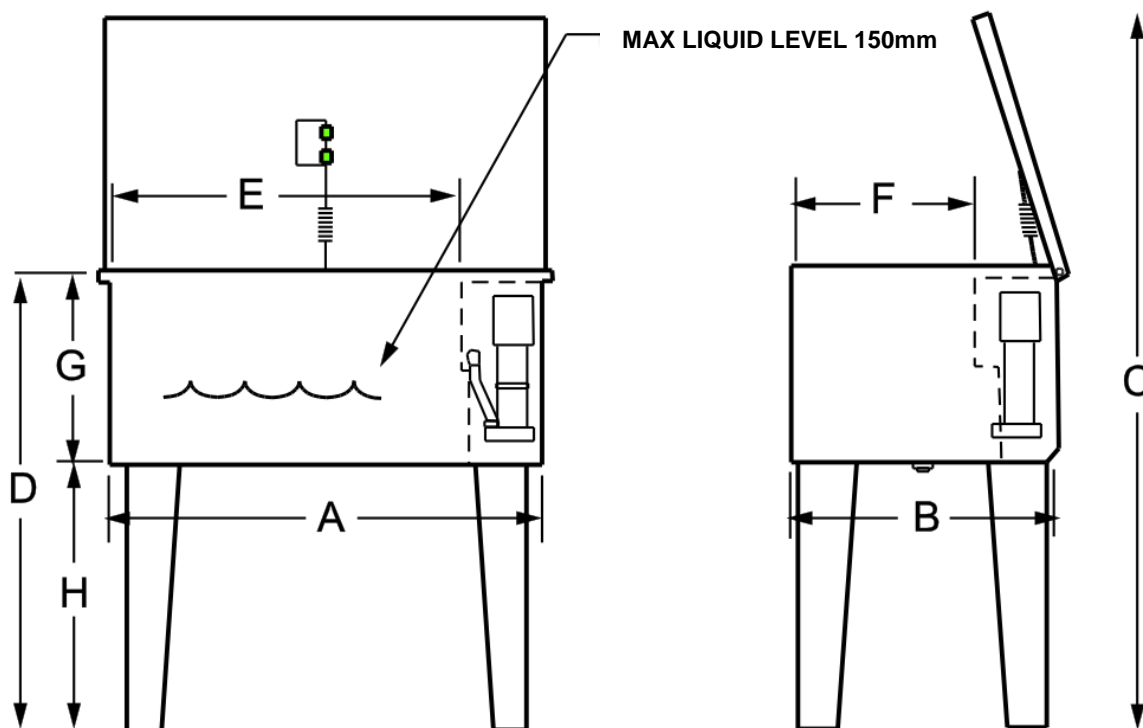
The Purasolve parts cleaning solvents and integral micro-filtration unit are especially designed to work together to reduce waste disposal costs and enable easier maintenance.

Filtering the Purasolve solvent down to less than 1 micron, it effectively removes oils and greases that are washed off the parts and dissolved in the cleaning solution.

Solvent life extension becomes easy, effective and predicible, resulting in significant savings in through-life costs, along with protecting the health of the user.



## Dimensions



A	B	C	D	E	F	G	H
915mm	560mm	1525mm	965mm	735mm	380mm	405mm	560mm

## Specifications

Operating Fluid Capacity - 60-75 Litres

Operating Voltage - 240v/ 50 Hz **Use in conjunction with Purasolve Safety Solvent**

The Purasolve range of safety solvents are especially designed to eliminate the need for outside servicing and to reduce the ongoing costs of solvent disposal and replenishment caused by waste generation.

ESPRC - Purasolve Parts Cleaner available in 5, 20 & 200 Litres

ESPSK – Purasolve Parts Cleaner SK available in 5, 20 & 200 Litres

PS6PW – Purasolve Parts Washer PS6

PS6PWKIT – Purasolve Parts Washer PS6 with 60 Litres of Purasolve Parts Cleaner



Tel 1800 777 580 | Fax 1300 777 580 | [sales@envirofluid.com](mailto:sales@envirofluid.com)

**[envirofluid.com](http://envirofluid.com)**

